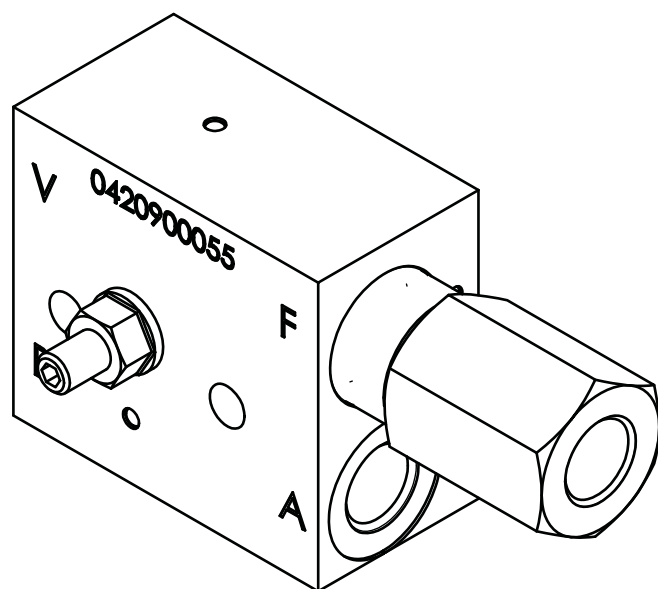
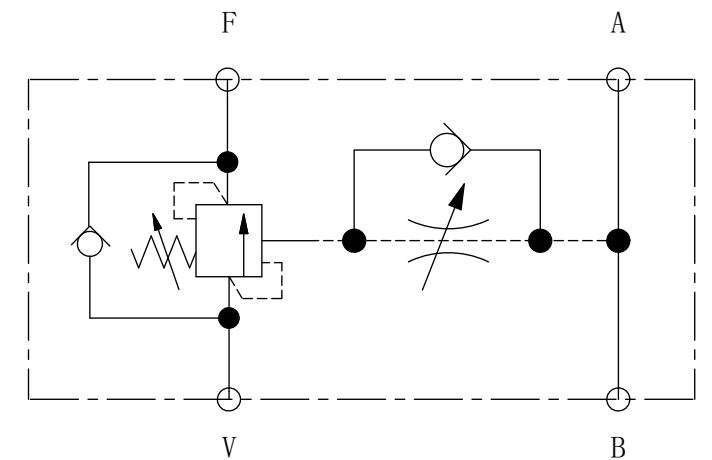
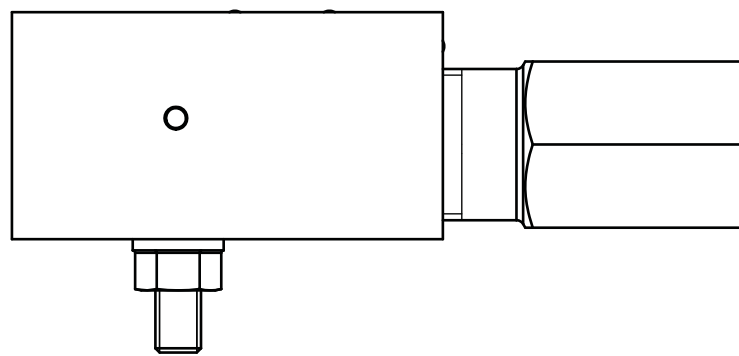


All Ports



Technical Data

1. Max. Operating Pressure: 250bar;
2. Flow Rate: 15L/min;
3. Adjustable Pressure: 50-180bar;
4. Preset Pressure: 160bar;
5. Pilot Ratio: 4.26:1.

Technical Requirements

1. Must be clean and no chip and burrs ;
2. Functional test after assembly, test pressure: 250bar;
3. No leakage during testing;
4. All Ports: G1/4-ED, Details as A-A section;
5. All Ports is sealed with plastic plugs;

④						UNITS	METRIC	波盈流体技术 (上海) 有限公司	
③						WEIGHT	MATERIAL	FIRST ANGLE PROJECTION	
②						DRAWN	DATE		SCALE
①						CHECK	DATE		1: 1.5
						APP'D	DATE	DESCRIPTION IHC-0420900055	
INDEX	REV	ECN	DATE	NAME	APP'D	DATE	SHEET	DRAWING NUMBER	REVISION
							1/1	C101000741	A